



redemperor[®]
fire + civil + plumbing

Square Vertical Bucket Trap Combination

(Single Strainer) - Multi-Purpose

Specification Data Sheet



DEB4S06SX

Bucket Floor Trap Combo - Ductile Iron Body
100PVC Multi Purpose with Stainless Steel
Round Grate 150mm and Stainless Steel
Strainer

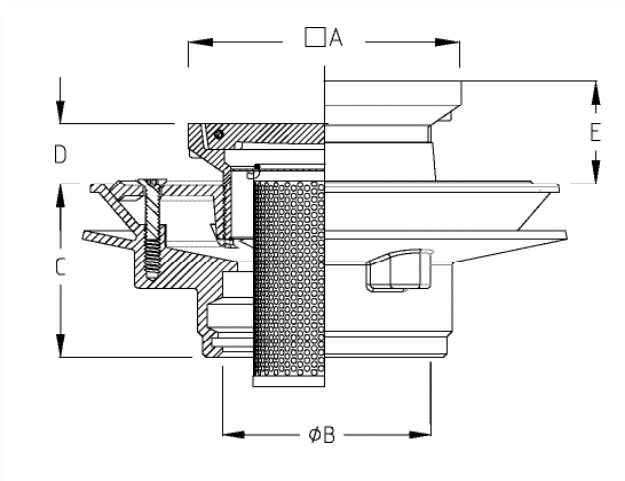
Specifications

Cast stainless steel square floor drain assembly threaded BSP with stainless steel lock down allen key screws load rated to Class C, with grey enamel coated ductile iron multi-purpose vertical built-in puddle flange body, with dual purpose reversible membrane clamping collar with weep holes, stainless steel lock down screws, and stainless steel primary removable strainer basket.

Features

- Complies with AS/NZS 4994:1998 Discharge of commercial and industrial waste water to sewer.
- Complies with AS 3996 to Class C and EN 1253 M125.
- Ideal for commercial kitchens, carparks, shopping centres and educational facilities.
- Ductile Iron body with unique built in puddle flange.

Typical Dimension

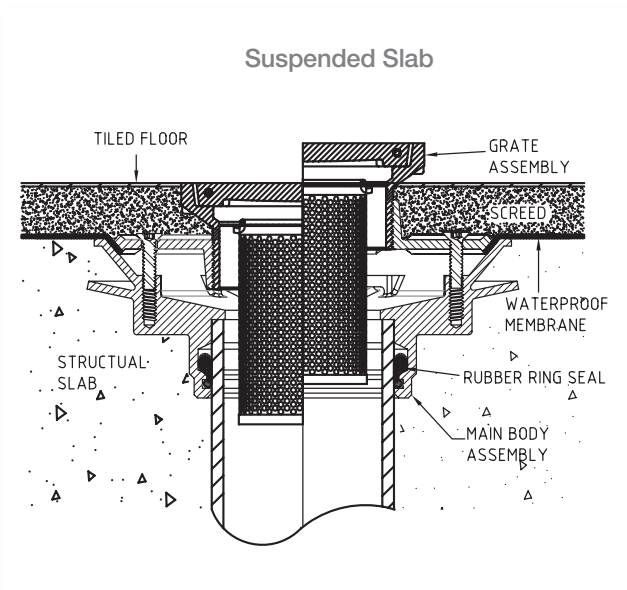


Grate Style	Grate Material	Body Mat	Top (A)	Outlet (B)	Body Height (C)	Min Height (D)	Max Height (E)	Connection Type
Square	Stainless Steel	DI	150	100	100	30	90	PVC/HDPE



A family
owned
Australian
business

Typical Installation



Flow Rate Guide (Litres/Second):

Grate Size	Pressure head mm of water		
	20	30	40
150 x 150	3.1	3.7	4.1
200 x 200	3.9	6.4	7.4

Maintenance & Cleaning

Red Emperor products should be cleaned with a soft damp cloth using only mild liquid detergent or soap and water. Do not use cleaning agents containing a corrosive acid, scouring agent or solvents. Do not use cream cleaners, as they are abrasive. Use of unsuitable cleaning agents may damage the surface. Any damage caused in this way will not be covered by warranty.

Regular maintenance should be carried out in accordance with installation and troubleshooting guides provided with the product, the relevant Australian Standards, local authorities and state codes.

Tea staining is an installation and maintenance issue. To reduce the risk of tea staining, products should be regularly cleaned. In certain environments corrosion reducers/inhibitors may need to be regularly applied, and consideration should be given to the use of electropolishing or other surface coatings.

Note: It is recommended higher grades of stainless steel be specified for corrosive or coastal areas.

Warranty

Red Emperor products are covered under our Manufacturer's Warranty at www.galvinengineering.com.au. Red Emperor products must be installed in accordance with the installation instructions and in accordance with AS3500, PCA, relevant Australian Standards and local authorities applicable to product being installed. Water and electrical supply conditions must also comply to the applicable national and/or state standards, failing to comply with these provisions may void the product warranty and affect performance of the product.

Whilst all reasonable care has been taken in compiling the information in this document, the designs, dimensions and products shown are indicative only and should not be relied upon without our prior approval. Due to our policy of continuous development, we reserve the right to alter any details of specifications or products without notice. All information, drawings, technical specifications and product designs remains the property of Galvin Engineering Pty Ltd.

Within Australia: **1300 514 074** Outside Australia: P: +61 (0)8 9338 2344
 F: +61 (0)8 9338 2340
sales@galvinengineering.com.au
www.galvinengineering.com.au

ABN: 78 008 719 382

PERTH | SYDNEY | MELBOURNE | BRISBANE | ADELAIDE

GalvinEngineering 
 the mark of reliability